

SOUTHERN MADE SIMPLE

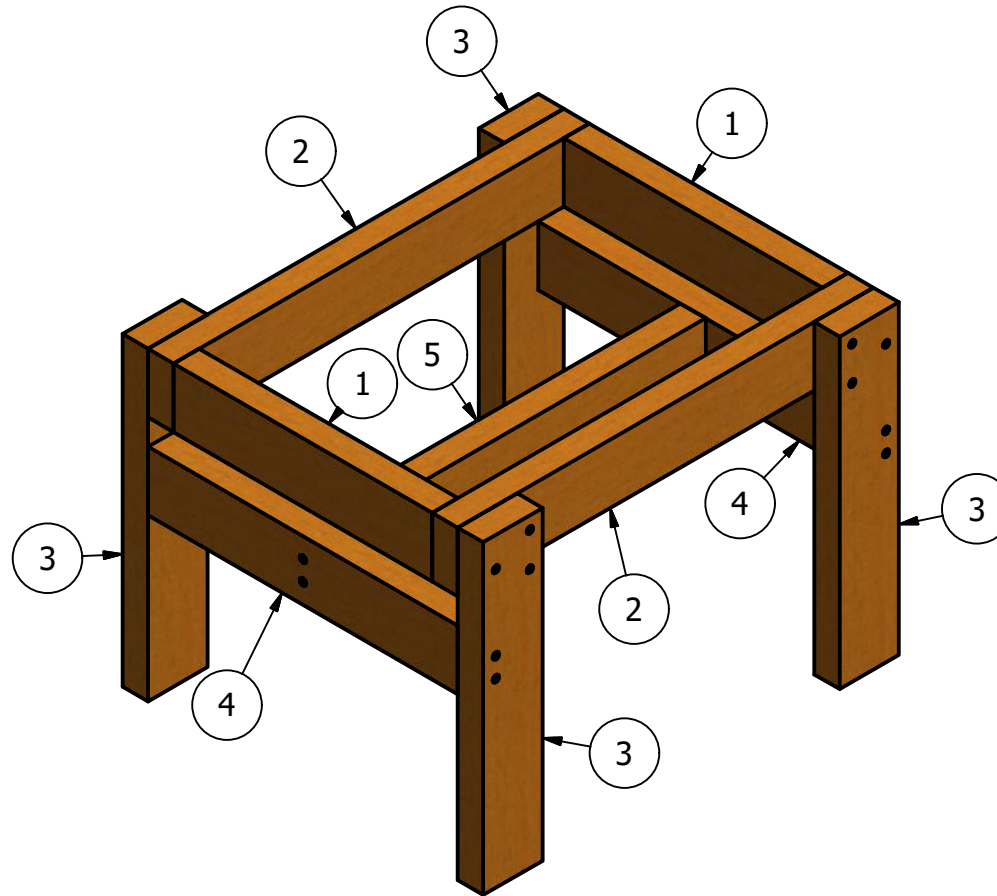
Keeping things simple with a smidge of Southern charm

SHOPPING LIST

QTY	ITEM
3	2x4x8 Treated
32	#8x2" Deck Screws

CUT LIST

ITEM	QTY	PART NUMBER	DESCRIPTION
1	2	Upper Frame 1	2x4 - 15 1/4"
2	2	Upper Frame 2	2x4 - 24 1/2"
3	4	Leg	2x4 - 18"
4	2	Lower Leg Support	2x4 - 18 1/4"
5	1	Lower Bin Support	2x4 - 21 1/2"



STORAGE TOTE SANDBOX

These plans were designed specifically to fit a 34 Qt Latched Clear Storage Container. If you purchase a different container, measure the length and width so that the "lip" of the container will sit on top of the 2x4s. Adjust length of Items 1,2,4,5 accordingly.

TOOLS NEEDED

SAW (CIRCULAR OR HAND)

MEASURING TAPE

SQUARE

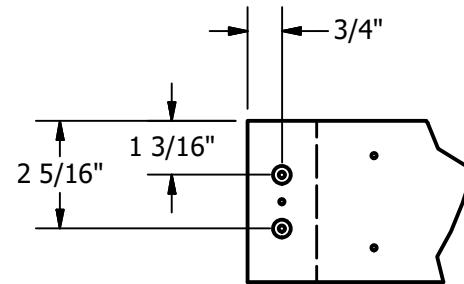
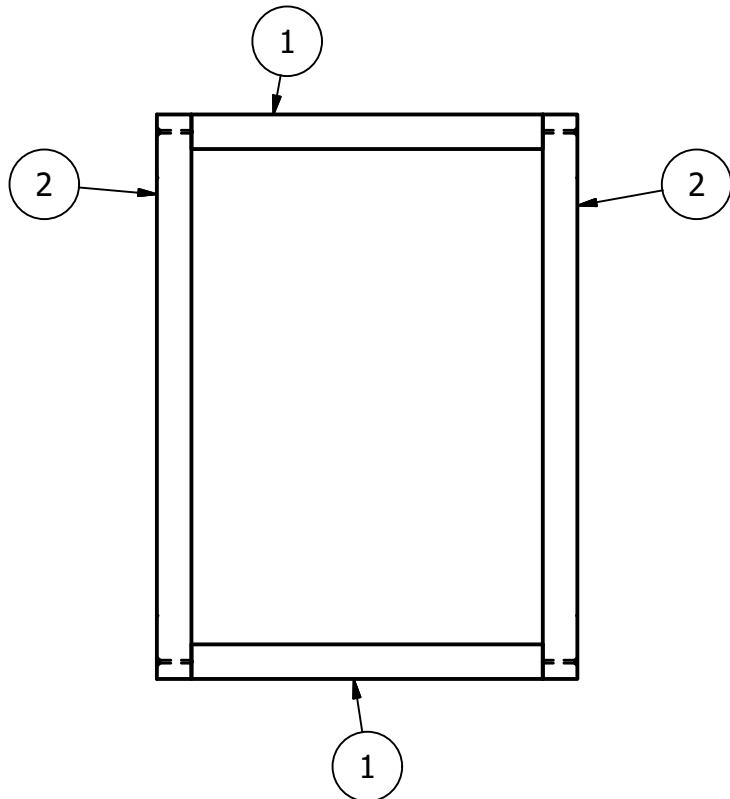
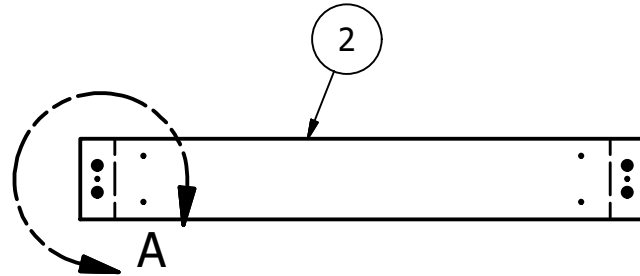
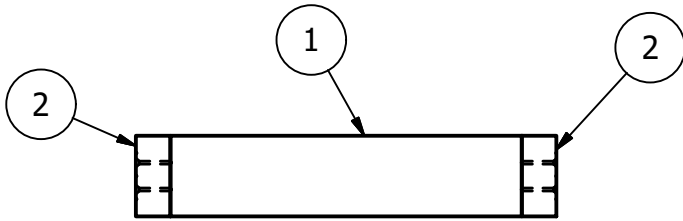
DRILL / DRIVER

1/8" DRILL BIT

COUNTERSINK BIT

SOUTHERN MADE SIMPLE

Keeping things simple with a smidge of Southern charm



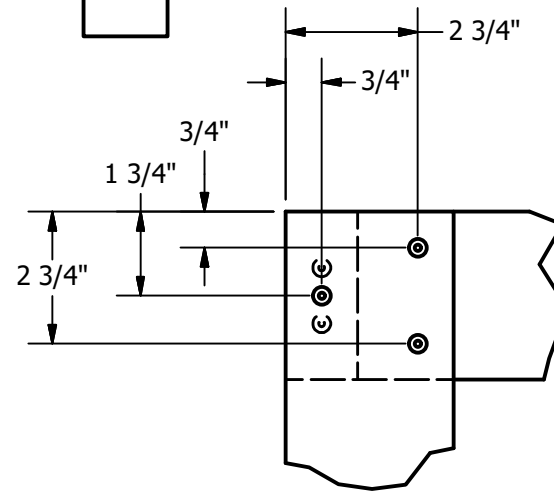
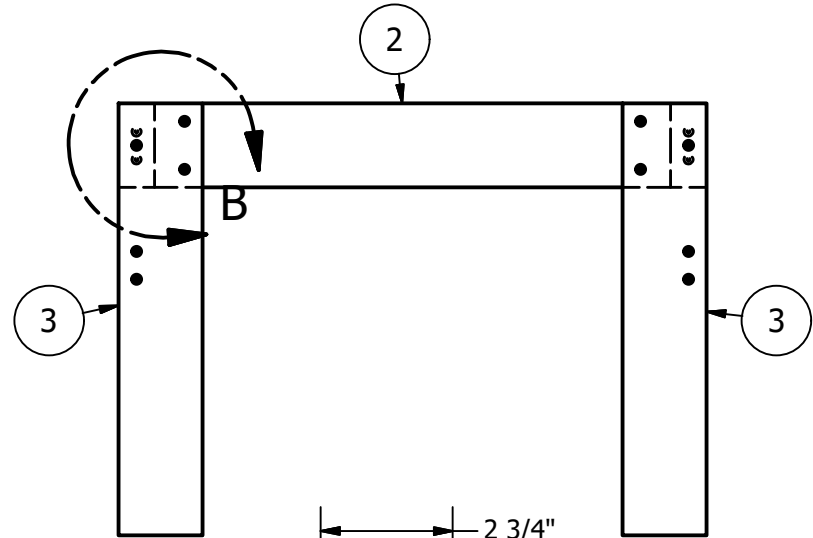
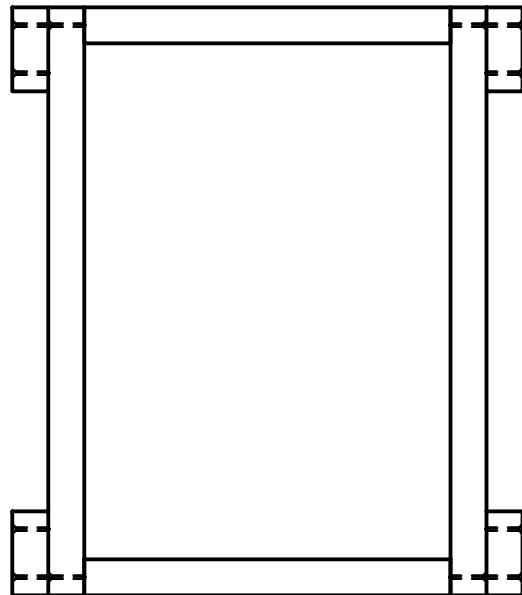
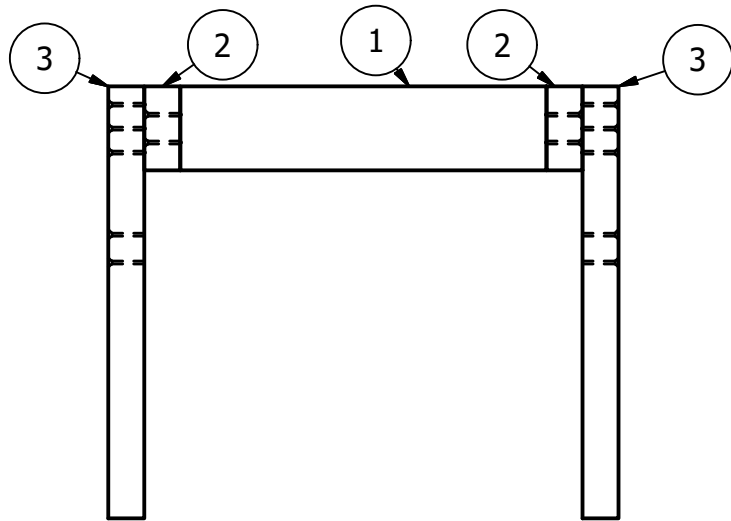
DETAIL A
Pre-Drill Screws with $1/8"$ Countersink Bit

Assembly Step 1

Assemble the top frame that will fit tight around your storage bin
All outer edges should be flush.

SOUTHERN MADE SIMPLE

Keeping things simple with a smidge of Southern charm



DETAIL B

Pre-Drill holes with 1/8" Countersink Bit
Note The left hole will fall directly
between the 2 screws behind the leg in the upper frame

Assembly Step 2

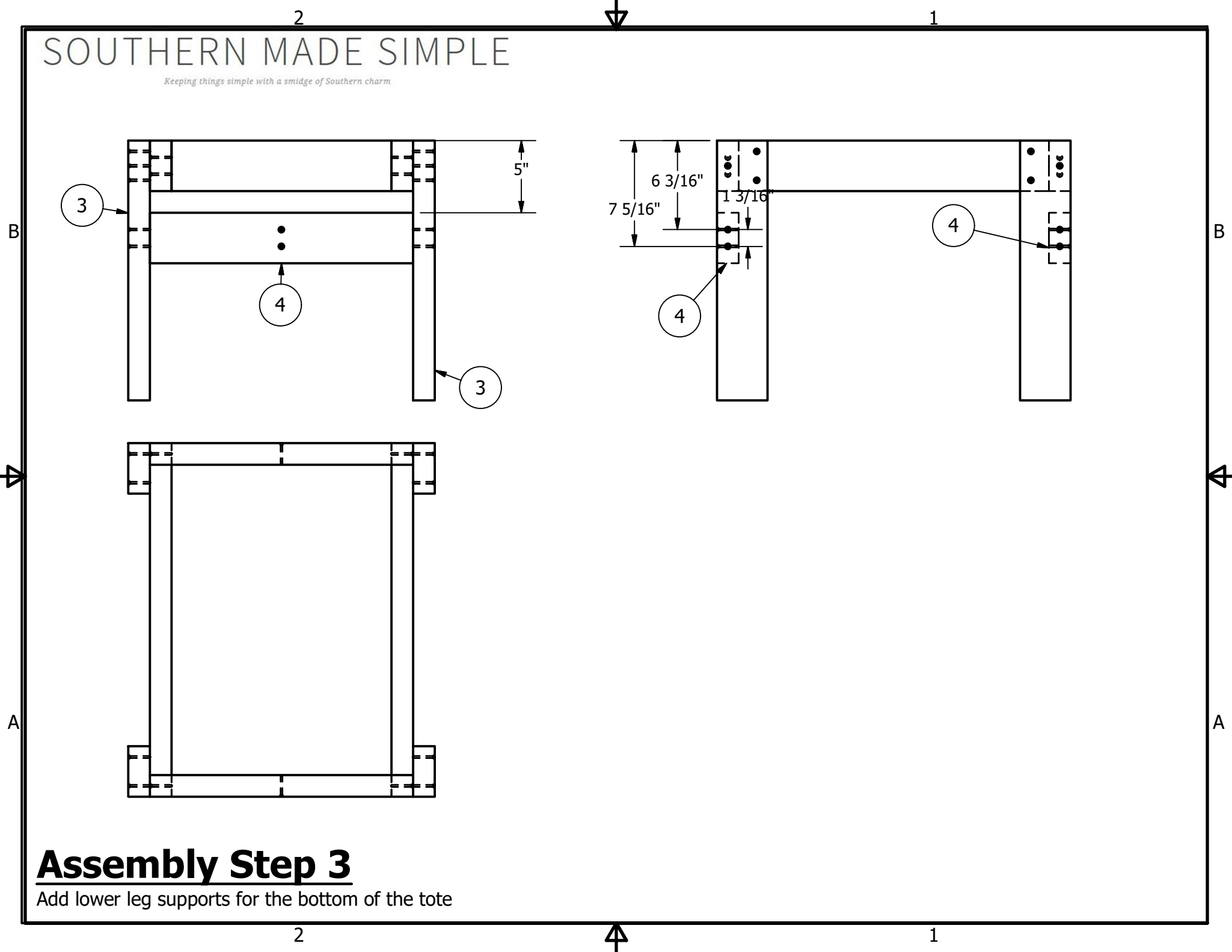
Add the legs

The top of each leg should be flush with the top of the upper frame

The outer edge of each leg should be flush with the outer edge of the upper frame

SOUTHERN MADE SIMPLE

Keeping things simple with a smidge of Southern charm

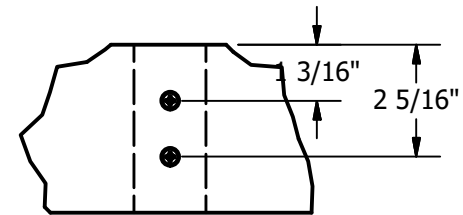
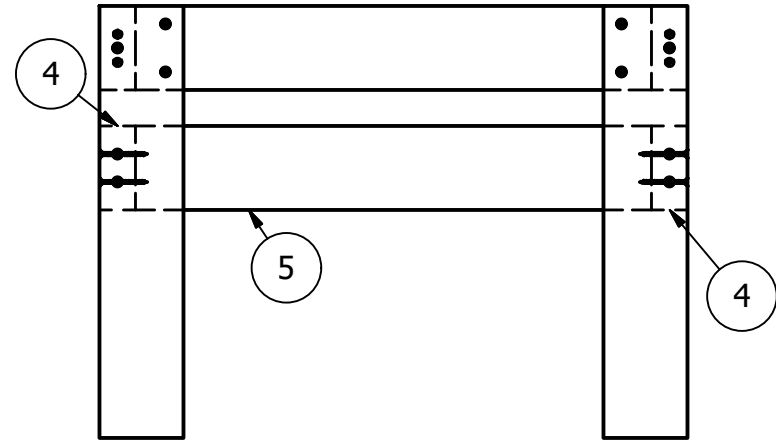
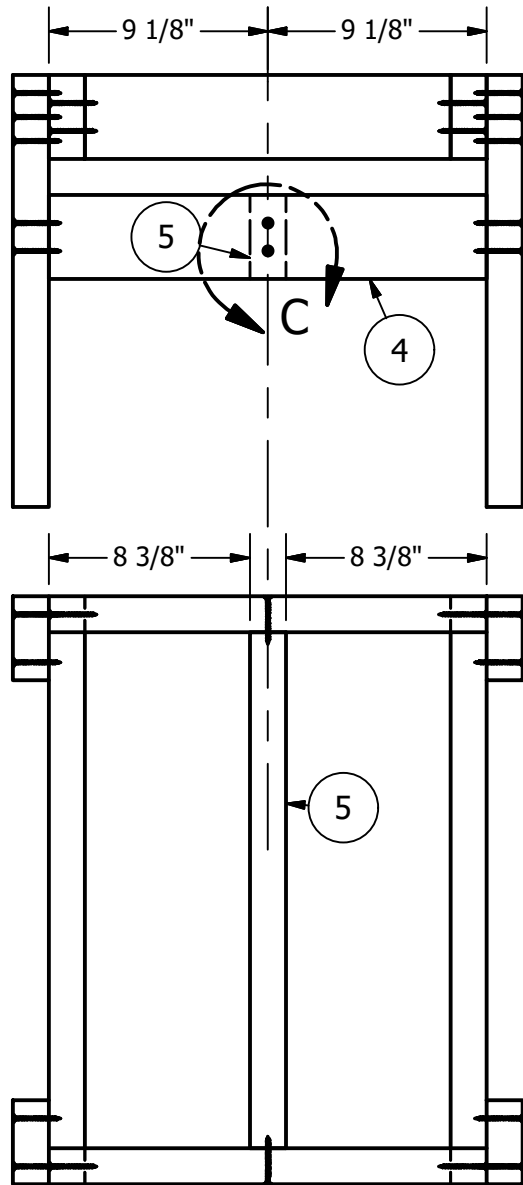


Assembly Step 3

Add lower leg supports for the bottom of the tote

SOUTHERN MADE SIMPLE

Keeping things simple with a smidge of Southern charm



Assembly Step 4

Add lower support for the bottom of the tub between the leg supports